

No. 8690

Elypso Valve Bonnet (without illustr.)

for Service Valves, Elypso Valves and Combination Valves

No. 8690E2

E2 Elypso Valve Bonnet

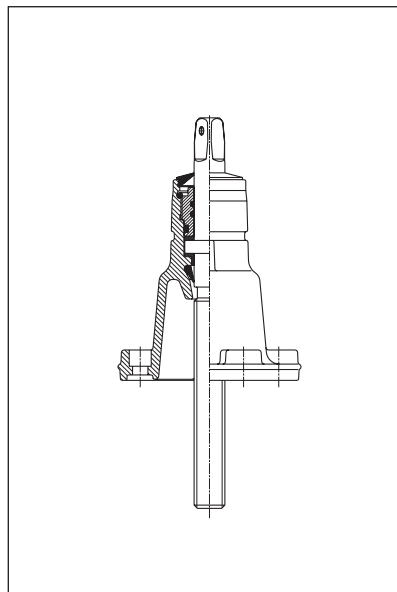
for E2 Valves and E2 Combi Valves

of ductile iron

epoxy powder coated

with spindle, flat gasket and bolts

also available with anti clockwise closing



DN	No. 8690	No. 8690E2
	Weight	Weight
3/4" - 1"	● 0,90	
1 1/4" - 1 1/2"	● 1,30	
2"	● 1,40	
50	● 2,00	● 3,10
65	● 2,60	● 4,70
80	● 3,20	● 4,70
100	● 4,50	● 5,30
125	● 5,80	● 7,80
150	● 5,90	● 7,80
200	● 11,00	● 12,40
250	● 14,00	● 21,50
300	● 29,50	● 27,50
350	● 36,00	● 34,00
400	● 48,00	● 43,00
500		● 95,00
600		● 134,00

No. 8700

Elypso Valve Wedge (without illustr.)

for Service Valves, Elypso Valves and Combination Valves

DN 3/4" — 2" of brass (Ms58)

DN 50 — 400 of ductile iron

outside rubberised with elastomer, suitable for potable water (inside bitumen coated)

No. 8700E2

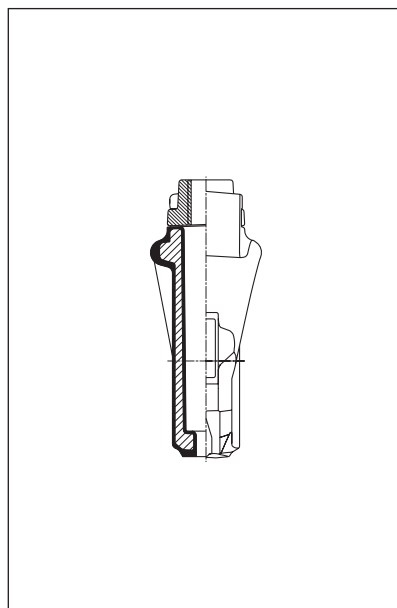
E2 Elypso Valve Wedge

for E2 Valves and E2 Combi Valves

inside and outside rubberised with elastomer, suitable for potable water

DN 50 — 600

of ductile iron



DN	No. 8700	No. 8700E2
	Weight	Weight
3/4" - 1"	● 0,25	
1 1/4" - 1 1/2"	● 0,40	
2"	● 0,50	
50	● 0,75	● 0,70
65	● 0,90	● 1,60
80	● 1,35	● 1,60
100	● 2,05	● 2,30
125	● 2,90	● 5,20
150	● 4,30	● 5,20
200	● 7,30	● 9,30
250	● 14,30	● 13,00
300	● 21,00	● 21,00
350	● 28,00	● 30,00
400	● 38,00	● 40,00
500		● 82,00
600		● 130,00

also available with anti clockwise closing

Spare Parts

No. 8710

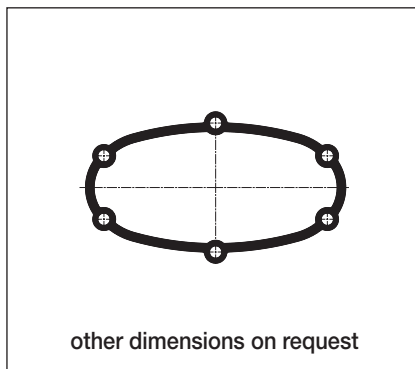
Elypso Valve Flat Gasket

of elastomer, suitable for potable water
(without illustr.)

No. 8710E2

E2 Elypso Valve Flat Gasket

of elastomer, suitable for potable water



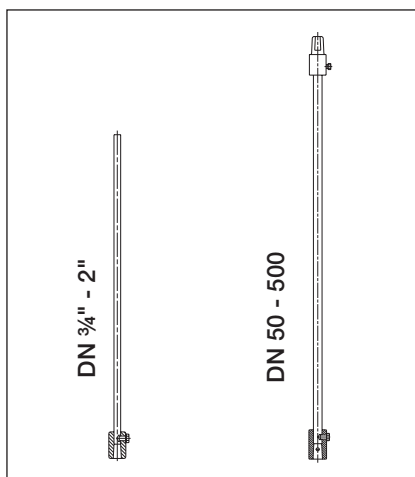
DN	No. 8710 Weight	No. 8710E2 Weight
3/4" - 1"	● 0,010	
1 1/4" - 2"	● 0,015	
50	● 0,010	● 0,010
65	● 0,025	● 0,025
80	● 0,022	● 0,022
100	● 0,030	● 0,030
125	● 0,035	● 0,035
150	● 0,030	● 0,030
200	● 0,080	● 0,080
250	● 0,180	● 0,180
300	● 0,175	● 0,175
350	● 0,210	● 0,210
400	● 0,250	● 0,250
500		● 0,350
600		● 0,580

No. 9620

Spindle Shaft

for all rigid type extension spindles

please specify length, see page D 1



DN	Square head dimension	Weight	
3/4" - 2"	14	2,05	●
50	20	3,60	●
65	20	3,60	●
80	20	3,60	●
100	20	3,60	●
200	20	4,10	●
250	25	3,75	●
300	25	3,55	●
350	25	3,45	●
400 - 500	25	3,10	●

Outer Protecting pipe

for all rigid type extension spindles

No. 9631 for DN 3/4" - 2"

Service Valves (threaded connection)

No. 9630 for DN 50 - 300

Elypso and Combination Valves

No. 9630E2 for DN 50 - 200

E2 Elypso and E2 Combination Valves

Outer and Inner Protecting pipe

for all telescopic type extension spindles

No. 9691 for DN 3/4" - 2"

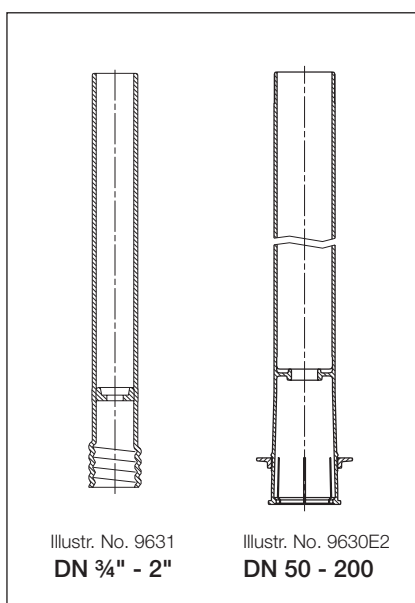
Service Valves (threaded connection)

No. 9591 for DN 50 - 300

Elypso and Combination Valves

No. 9591E2 for DN 50 - 200

E2 Elypso and E2 Combination Valves



DN	No. 9631	No. 9691
3/4" - 2"	●	●

DN	No. 9630	No. 9591
50 - 100	●	●
125 - 150	●	●
200	●	●
250	●	●
300	●	●

DN	No. 9630E2	No. 9591E2
50 - 100	●	●
125 - 150	●	●
200	●	●

please specify length, see page D 1